



**ATSTANK**



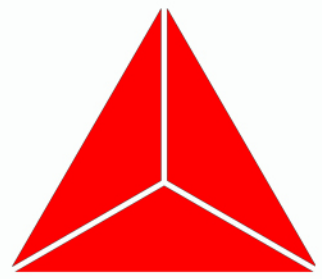
- \* Stainless Steel Hose
- \* Composite Hose

# ATS BEND MASTER





## Drain Systems for Floating Roof Tanks **ATS BEND MASTER**

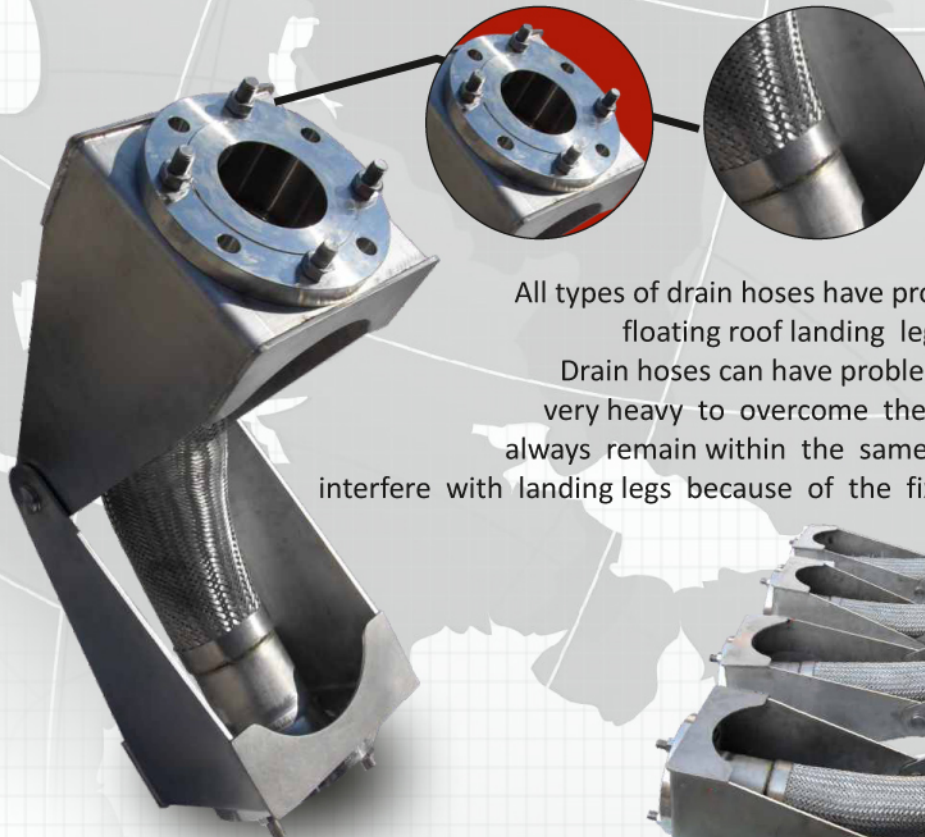


ATS Drain Systems offer proven technology, maintenance free, easy to install floating roof drains. All you need to do is fill in and fax to us our standard ATS Tank Drain Data Sheet and we will provide installation drawings for you.

The ATS Drain System is easy to install in any tank. Each drain line requires just a 500mm wide corridor to operate in, between sump and shell nozzles. In tanks above 60m diameter, it is advisable for safety reasons, to fit more than one drain. This can easily be done with the ATS Drain System. As many as 5 lines have previously been fitted to one large crude oil storage tank.

### **ATS Drain advantages over swivel joint drains:**

Conventional Swivel joint drains will eventually leak and require periodic maintenance. Tank cleaning costs are extremely expensive. ATS Drain joints will give a maintenance free life of more than 15 years. Only 4 ATS Drain joints/line are required. This makes a ATS Drain much cheaper, simpler, lighter and easier to install.



### **ATS Drain advantages over hose drains:**

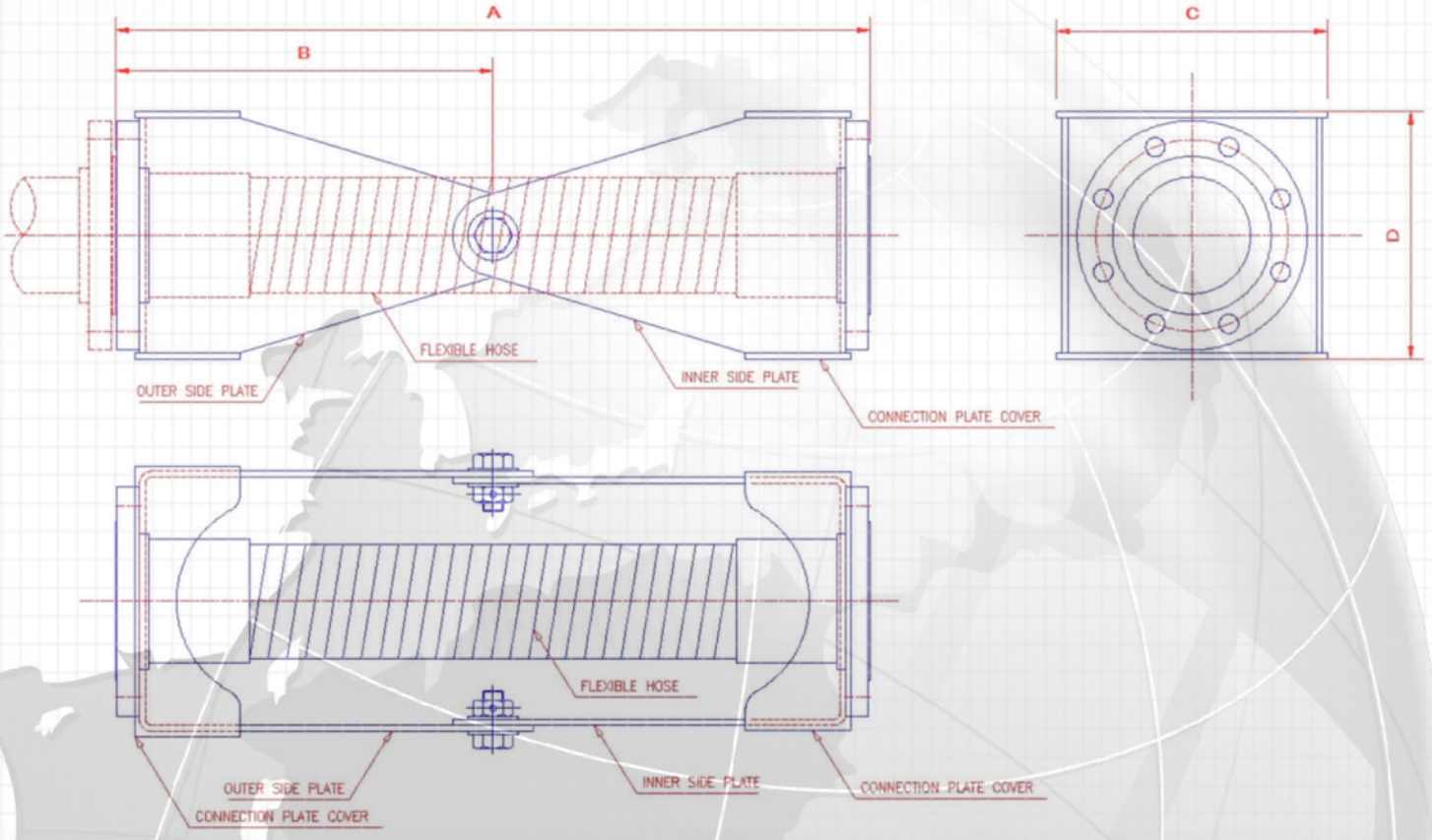
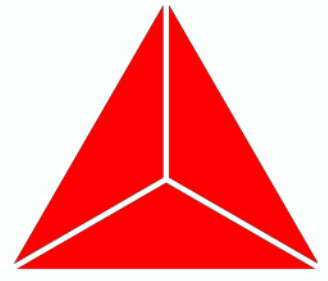
All types of drain hoses have problems from time to time interfering with floating roof landing legs. This results in premature drain failure. Drain hoses can have problems with their own buoyancy, they must be very heavy to overcome their own displaced weight. ATS Drains will always remain within the same narrow operating corridor and will never interfere with landing legs because of the fixed geometry of the ATS Drain system.







# Drain Systems for Floating Roof Tanks ATSBEND MASTER

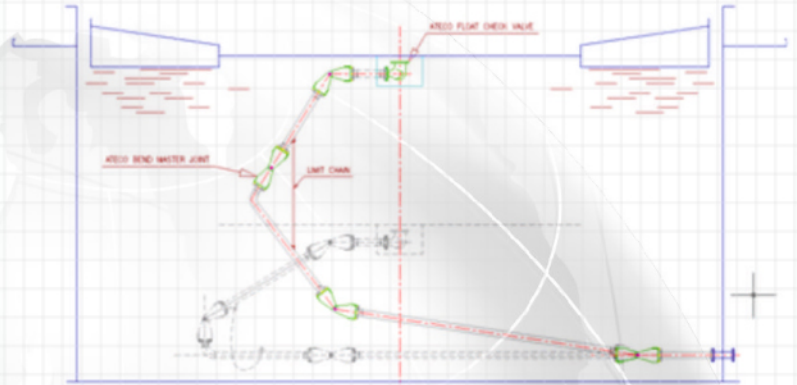
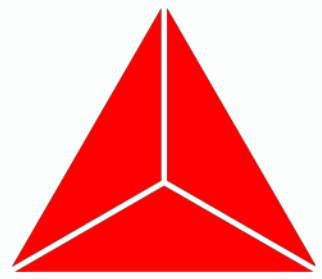


## DIMENSIONAL AND DESIGN DATA

PART NO	SIZE	A	B	C	D	SET OF 4 JOINTS WT KG	SET OF 4 JOINTS VOL. M3	OPERATING TEMP °C	MAXIMUM PRESSURE
ABM300	3"	620	310	228	195	132	0,28	-40°C +100°C	10,6 Kg/cm <sup>2</sup>
ABM400	4"	750	375	268	235	194	0,42	-40°C +100°C	10,6 Kg/cm <sup>2</sup>
ABM600	6"	950	475	362	312	420	0,78	-40°C +100°C	10,6 Kg/cm <sup>2</sup>
ABM800	8"	1300	650	426	385	680	1,46	-40°C +100°C	10,6 Kg/cm <sup>2</sup>



## Drain Systems for Floating Roof Tanks **ATS BEND MASTER**



### **Materials:**

The Standard **ATS** Drain Joint hose is constructed from layers of polypropylene and polyester film and fabric. Hoses have 316 stainless steel inner and outer wires and are swaged to carbon steel tail pieces with ANSI 150# RF flanges. Flanges can also be in stainless steel or in carbon steel, epoxy painted. The ATS Drain Joint pivot assembly is stainless steel with main side plates either standard galvanised or stainless steel.

### **ATS Tank Products include:**

- Aluminium Internal Floating Roofs
- Floating Roof Tank Seals
- Floating Roof Tank Drain Systems
- Floating Roof Tank Fire Foam Systems
- Floating Suction Lines & Skimmers
- Floating Suction Swing Joints 4" to 30"

